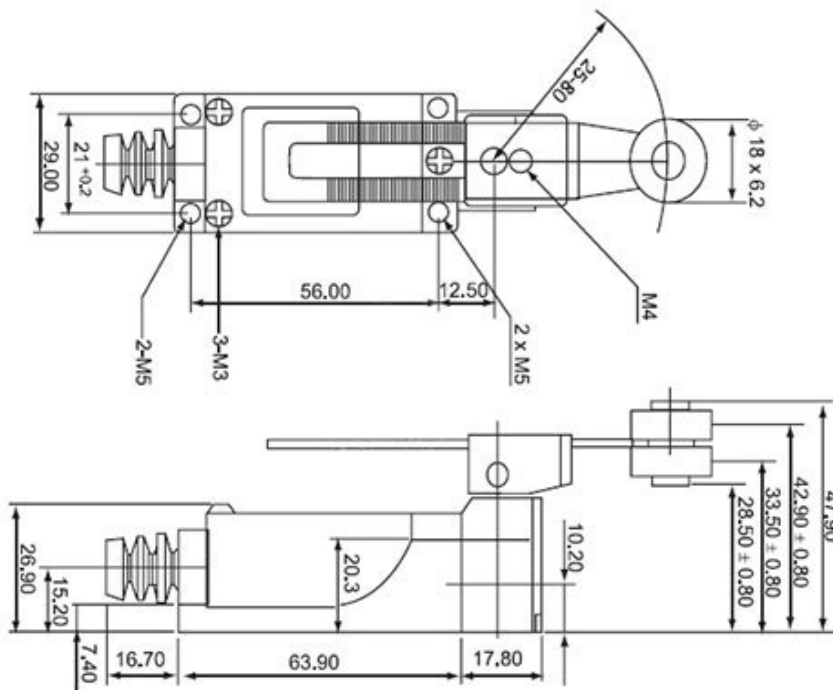


MH007

Product: Limit switch
Model: ME-8108
Type: Roller type switch, Auto reset
Power supply: AC250V 5A,DC115V 0.4A
Mounting hole spacing: 56mm x 21mm
Dimensions: 98.4x 29 x 27 mm
Color: black and blue
Material: plastic, metal and rubber
Contact type:Silver Point NO+NC
Weight: 88g
Noted: The size is for reference only

产品名称：限位开关
型号：ME-8108
类型：滚轮，自动复位
电源：AC250V 5A, DC115V 0.4A
安装孔间距：56mm x 21mm
尺寸：98.4x 29 x 27 mm
颜色：黑色和蓝色
材料：塑料、金属、橡胶
触点类型：银点 NO+NC
重量：88g



注：尺寸仅供参考，一切以实物为准